



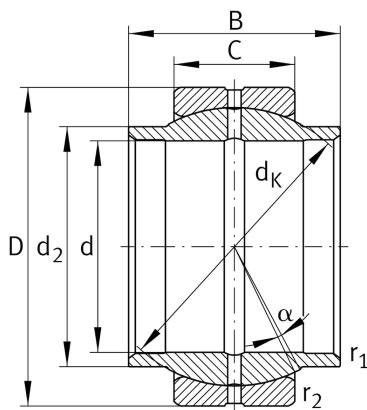
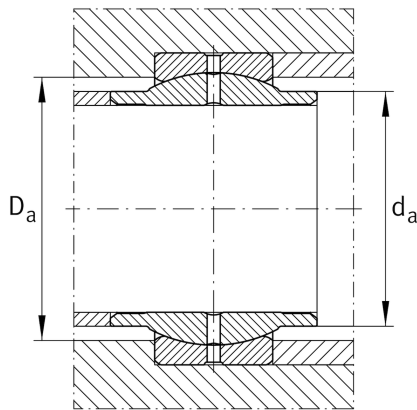
## GE12-LO

### Spherical plain bearing

Schaeffler ID:  
0066524920000

Radial spherical plain bearing, requiring maintenance, sliding contact surface: steel/steel, DIN ISO 12240-1, dimension series W, cylindrical extensions on inner ring, open design

### Technical information



### Main Dimensions & Performance Data

d	12 mm	Bore diameter bearing
D	22 mm	Outside diameter bearing
B	12 mm	Width Inner ring
$C_r$	10,800 N	Basic dynamic load rating, radial
$C_{0r}$	54,000 N	Basic static load rating, radial
	16.85 g	Weight

### Dimensions

C	7 mm	Width Outer ring
$d_K$	18 mm	Ball diameter
$\alpha$	4 °	Tilt angle
$r_{1smin}$	0.3 mm	Edge Spacing
$r_{2smin}$	0.3 mm	Edge Spacing
$d_{OT}$	0.018 mm	Bore diameter bearing, upper tolerance
$d_{UT}$	0 mm	Bore diameter bearing, lower tolerance
$D_{OT}$	0 mm	Outside diameter, upper tolerance
$D_{UT}$	-0.009 mm	Outside diameter, lower tolerance
$B_{OT}$	0 mm	Width inner ring, upper tolerance
$G_r$	0,032 - 0,068 mm	Radial Clearance
$B_{UT}$	-0.18 mm	Width inner ring, lower tolerance
$C_{OT}$	0 mm	Width outer ring, upper tolerance

### Mounting dimensions

$d_{a max}$	15.5 mm	Connection measure Inner ring
$D_{a min}$	17.5 mm	Housing Connection Diameter

### Temperature range

$T_{min}$	-60 °C	Operating temperature min.
$T_{max}$	200 °C	Operating temperature max.